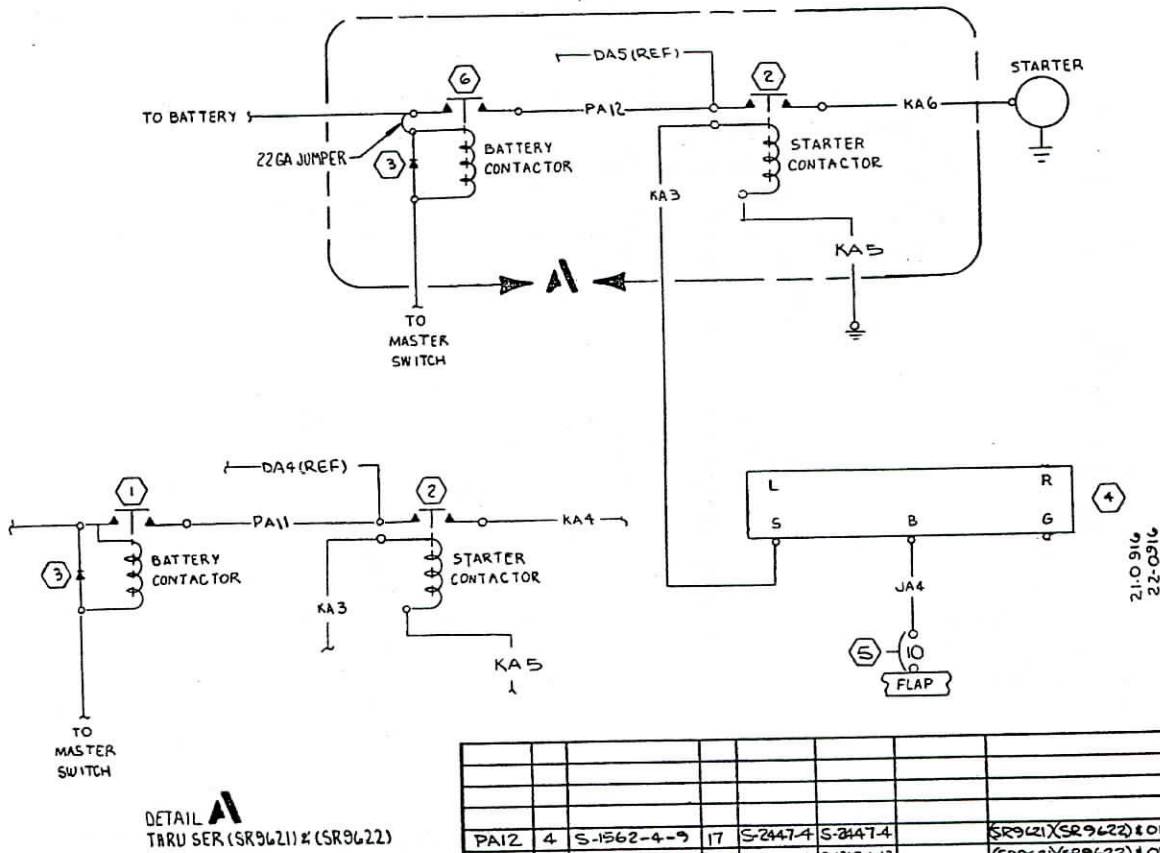


MODEL 152 SERIES SERVICE MANUAL

REVISION			
LET	DESCRIPTION	DATE	APPD
A	BY REV: S-1360-10L WAS S-1360-15L (SR9101)(SR9102)(SR9103)	RLY 3-9-79	RLY W/HH R
B	BY REV: ADD DETAIL "A", KA6 & PA12; SER OUT KA4 & PA11 (SR9621)(SR9622)	NTL 11-8-79	SDA W/HH R RF
C	BY REV: S-1367-L-13/KA6 WAS S-2447-4 (SR9621)(REF)(SR9622)(REF)	DFS 8-18-80	REF W/HH R DES



WIRE CODE NO	GA	MATERIAL	LG	TERMINALS	SERIALS
PA12	4	S-1562-4-9	17	S-2447-4 S-2447-4	SR9621(SR9622) 10N
KA6	4	S-1562-4-9	49	S-2447-4 S-1367-13	(SR9621)(SR9622) 10N
KA5	18			S1367-10 S-1367-10	
PA11	4	S-1562-4-9		S1367-6-13 S-2447-4	THRU(SR9621)(SR9622)
JA4	18			S1367-10 S1367-10	
KA4	4	S-1562-4-9		S-2447-4 S1367-6-13	THRU(SR9621)(SR9622)

ITEM NO	PART NO.	DESCRIPTION
6	S2475-1	BATTERY CONTACTOR
5	S1360-10L	CIRCUIT BREAKER
4	C292501-0105	IGNITION SWITCH
3	0710728	DIODE ASSY
2	S2443-1	STARTER CONTACTOR
1	S1580-1	BATTERY CONTACTOR

EQUIPMENT TABLE

CES-1000 IS APPLICABLE
VENDOR CODES PER S-1400
CES-XXXX-CESSNA SPEC. NO.
S-XXX OR CMXXXX-CESSNA
STD. NO.

SUPERSEDES:
0470406 P6.2

SUPERSEDED BY:

CONTRACT NO:			COMMERCIAL AIRCRAFT DIV. 5800 E. PAWNEE WICHITA, KANSAS	
DESIGN	NAME	DATE	TITLE	
	WHITSON	12-15-78	WIRING DIAGRAM - STARTER	
GROUP	D.H. HENDERSON	12-19-78		
DRAWN	DHAUN	12-7-78		
CHECK	BORLESKE	12-12-78		
STRESS				
PROJ	R. FIFE	12-20-78	SIZE	CODE IDENT. NO.
APPD	RF		C	71379
OTHER			DWG NO	0470406
			SCALE: NONE	(SR 9270) PAGE: 6.4